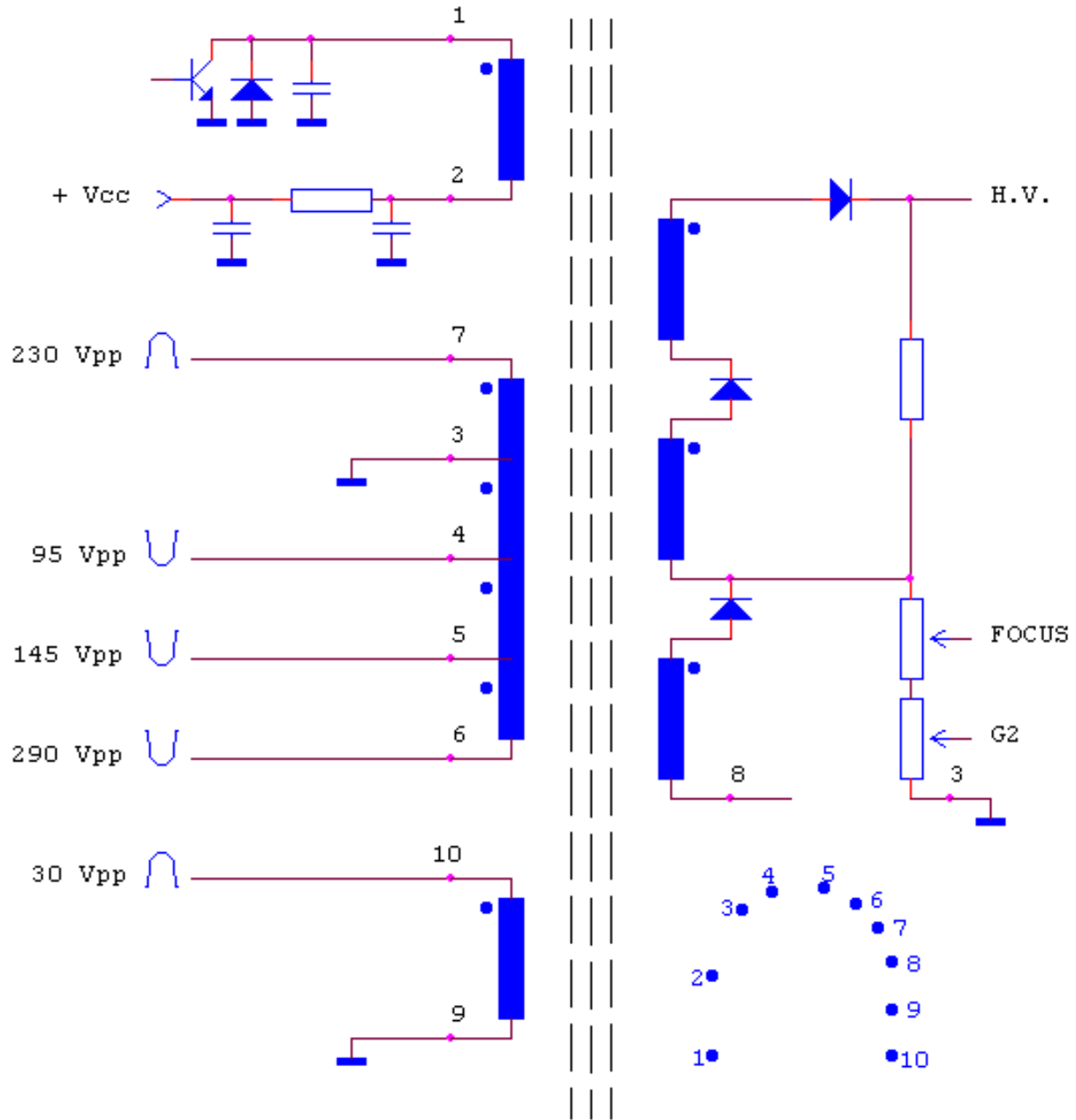




# HR 7839



INSTRUM.	MAT	+	COL	⊥ A	⊥ 1	⊥ 2	⊥ 3	TYPE
STVDST-01	29.5	2	1	8	3	9		90